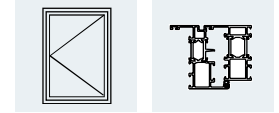
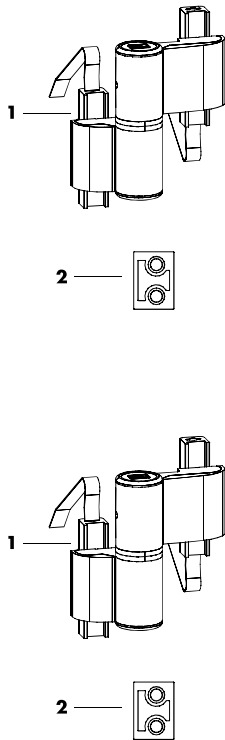


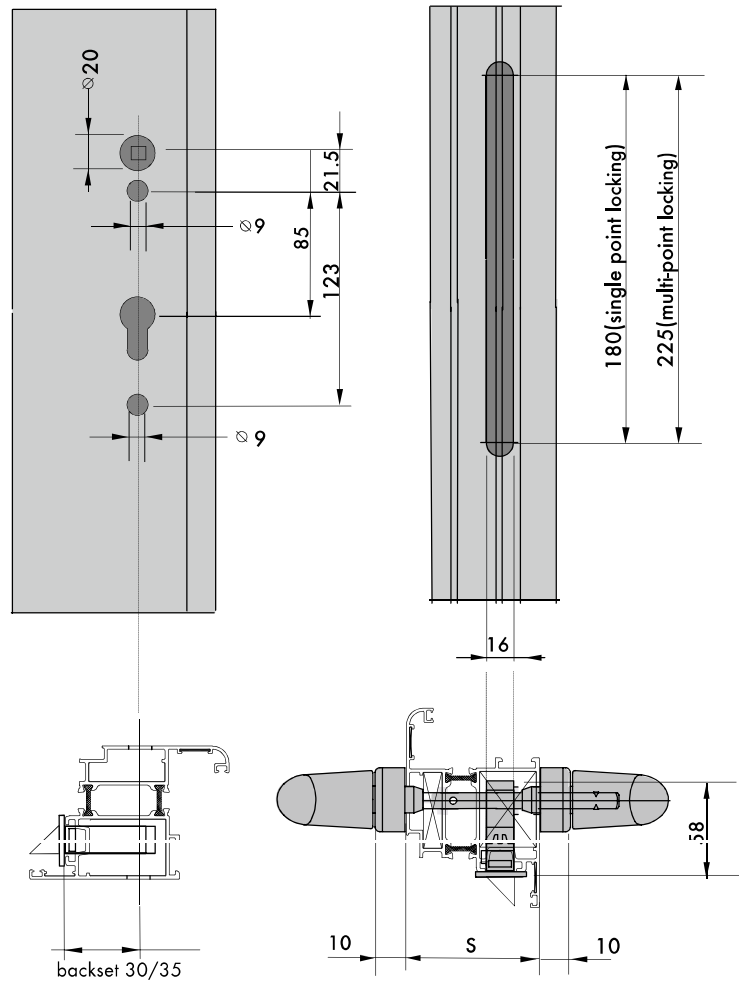
Hardware overview



Hinge side



Profile drilling pattern



- 1** ALU150-3D hinge
- 2** ALU 150-3D hinge packer
- 3** ALU JC 120 hinge
- 4** ALU YM 120 hinge

backset 30/35